

USER MANUAL

PROTEC

Contactless immobilization relay



Automatic Transmit function

Automatic Transmit operation

Enable Automatic Transmit:

press transmitter Button 5 seconds until transmitter LED flash 5 times to show the transmitter is set to automatic transmit mode. The transmitter will automatic transmit the signal out to automatic disarm the relay.

Disable Automatic Transmit:

Press transmitter Button 5 seconds until transmitter LED is OFF, show the transmitter is set to normal mode without automatic transmit function.

Low Battery:

When the red color LED of transmitter is flashing that means the transmitter battery power is get low. Please replace with the new battery(CR2032) as soon as possible.

And the wireless relay will be automatic disarmed as the wireless relay received 10 times battery lower signal from the transmitter when ignition key is at ON status.

The wireless relay will be recovered to normal working that will automatic arm itself when the ignition key is OFF status after replaced the new one battery for transmitter.

Feature:

* code hopping for KEELOQ

*Relay Can learn up to 5 pcs transmitters.

Operation:

1. Arm:

30 seconds after the ignition Key switch is turned off, the system is armed.

2. Disarm:

When the ignition Key switch is turned on, press the transmitter button Once, the system will disarm.

3. (Override + Valet Mode)/New Override PIN number setting/Transmitter Code-Learning

- a. The remote relay must in armed.
- b. Switched ignition key OFF-ON 3 times, and keep at On at 3rd times, after 5 seconds, means the TEN digital number 3 has been entered.
- c. Switched ignition key OFF-ON 6 times, and keep at On at 6th times, after 5 seconds, means the UNIT digital number 6 has been entered.
- d. In disarm, 5 seconds later, system will be override if correct PIN code was entered. Then 5 seconds later, the system will enter to Valet Mode.
- e. If correct PIN code was entered, within 5 seconds, switch ignition key had OFF-ON key 1-9 times, and keep at On at last time switching over 5 seconds, the system will enter to New Override PIN number setting mode, and will not enter to Valet Mode.
- f. If correct PIN code was entered, within 5 seconds, switch ignition key OFF-ON 12 times, and keep at On at last time switching, the system will enter to Transmitter Code-Learning mode, and will not enter to Valet Mode.
- g. Our pre-set PIN number is 36.

Attention: each time switching ignition OFF/ON, can not stay at OFF over 3 seconds. Otherwise need to re-enter again.

4. New PIN Code Setting:

- a. The remote relay must be in Disarmed mode.
- b. After enter the correct PIN Code to enter Disarmed mode, within 5 seconds, then can change the PIN Code.
- c. Finish <1> and <2> step within 5 seconds to modify the PIN Code.
 - <1> Switched ignition key OFF-ON 2 times, and keep at On at last time switching over 5seconds, means the TEN digital number has been entered.
 - <2> Switched ignition key OFF-ON 4 times, and keep at On at last time switching over 5seconds, means the UNIT digital number has been entered and modified OK.
- d. The remote relay will confirm if the new PIN Code Setting is OK or not.
- e. If the new PIN Code Setting is not succeeded, after 5 seconds, the system will not enter to Valet Mode.

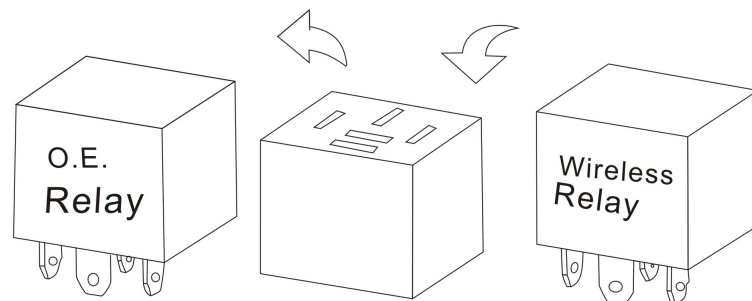
Attention: The maximum number of PIN-code is [1-1] – [9-9].

Attention: each time switching ignition OFF/ON, can not stay at OFF over 3 seconds.

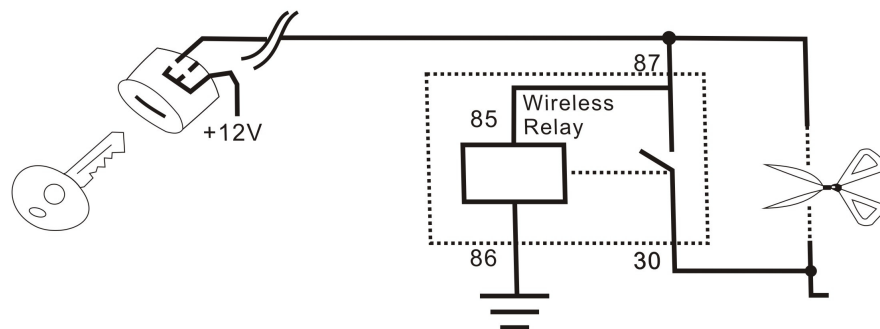
5. Transmitter Code-Learning:

- a. System must be in Disarmed mode.
- b. If the correct PIN Code was entered within 5 seconds, then can learn the transmitter.
- c. Within 5 seconds, switched ignition key OFF-ON 12 times, and keep at On at last time switching.
- d. Within 5 seconds, press the button of new transmitter 1 time, the code of new transmitter is learned.
- e. The system total can keep 5 pcs transmitter code, and the 1st transmitter code will be deleted if 6th transmitter code is learned.
- f. If leave the Code Learning Mode after 5 seconds or ignition is off, the system will not enter to Valet Mode.

Attention: each time switching ignition OFF/ON, can not stay at OFF over 3 seconds.



● Replace O.E. with wireless relay



● Numerous applications or uses.